

STD-PT6S4-35010 Dual-spectral PTZ Network Camera



Product Feature

- Visible light and infrared dual-spectral imaging, the function of laser illuminator and LRF are extendible.
- 1.3MP high resolution, with 35 ~ 350mm infrared lens of 10× continuous zoom.
- Support intelligent behavior analysis, such as tripwire detection and region intrusion detection.
- Integrated with $\pm 0.01^\circ$ high-accuracy and 120°/s high-speed PTZ, support multiple kinds of scanning mode and target tracking
- The camera body adopts all-weather protection design, encapsulation rating IP67, wind resistant, waterproof, corrosion resistant, salt spray resistant.
- Support ONVIF standard protocols, provide SDK, matched NVR and VMS software



STD Series | PT6S4-35010

Technical Index	STD-PT6S4-35010
Thermal	
Sensor Type	VOx uncooled FPA detector
Spectral Range	8 ~ 14μm
NETD	≤40mK(@25°C,F#1.0,25Hz)
Max. Resolution	1280×1024
Pixel Pitch	12μm
Focal Length	35~350mm,10× optical zoom
Focus Mode	Auto/Manual/One-shot auto
FOV	24.3°×18.8°~2.5°×2.0°
F.NO	F0.92~F1.5
Spatial Resolution	0.343~0.034mrad
Color Palettes	20 kinds optional such as Blackhot/Whitehot/Rainbow,etc.
Virtual Focus Correction	Support, ensure clear image within the operating temperature range
Digital Zoom	8×
Image Stabilization	EIS
Image Processing	AGC , brightness & contrast adjustment, Non-uniformity Correction NUC, Digital Noise Suppression(DNS), Digital Detail Enhancement(DDE)
Operating emperature	-40℃ ~ +60℃
Power supply	DC 17-60V
Power consumption	<= 4 W typical <= 15 W maximum
Weight	25Kg
Size(mm)	575×mm332mm×329mm
Protection Grade	IP67
Visible	
Image sensor	1/1.8inch 2MP CMOS
Max. Resolution	2688×1520
Focal Length	15~775mm
Minimum Illumination	Color: 0.05 Lux
Focus Mode	Auto/Manual/One-shot auto
FOV	29.1°×16.7° ~ 0.5°×0.3°
Continuous optical zoom	52X
WDR	Support
Day /Night	Manual/Auto
Fog Penetration	Support optical & electronic fog penetration
White Balance	Automatic / manual / tracking / outdoor / indoor / outdoor automatic / sodium lamp automatic / sodium lamp
Image Stabilization	Support
Network	network automatic discovery
Operating temperature	-40℃ ~ +60℃
Power supply	DC 17-60V
Power consumption	<= 6.5 W typical <= 8.4 W maximum
Weight	15.3kg
Size(mm)	598mm×235mm×231mm
Protection Grade	IP67
PTZ	
Pan Range	Pan: 360° Continuous Rotate

Technical Index	STD-PT6S4-35010
Pan Speed	0.001° ~ 120°/s
Tilt Range	-90° ~ +90°
Tilt Speed	0.001° ~ 60°/s
Presets	1024
Tele Speed Setup	Speed adaptation to zoom ratio
Park	Preset/Tour/Pattern/Linear Scan/Panorama Scan
Preset Accuracy	±0.01°
Adjustable bracket	The bracket is adjustable, flexibly adjust the optical axis of visible light, infrared and LRF
Power failure self-locking	Support
Operating temperature	-40℃ ~ +60℃
Power supply	DC 48V ±15%
Power consumption	80W
Weight	25kg
Protection Grade	IP67
Network	
Protocols	TCP/IP,UDP,ICMP,HTTP,HTTPS,FTP,DHCP,DNS,RTP, RTSP,RTCP,IGMP,SMTP, NTP, QoS
Interoperability	ONVIF/SDK/API/(documentation for serial port communicaton)
OSD(other OSD information customized)	Supported OSD information: time, PTZ coordinate, zoom magnification , channel info, GPS
Simultaneous live view	Up to 20 channels
User Management	Up to 20users,2 levels: Administrator and User
Browse	Chrome 、 Firefox
Video	
Max. Resolution	2688×1520(Visible), 1280×1024(Thermal)
Image Encoding Format	JPEG
Video Compression	H.264/H.265/MJPEG
Video Output	H.264/RTSP/ONVIF/HD-SDI
Main Stream	Visible: 50Hz:25fps(2688×1520,1920×1080,1280×720) 60Hz:30fps(2688×1520,1920×1080,1280×720) Thermal: 50Hz:25fps(1280×1024,1280×720,1024×768)
Sub Stream	Visible: 50Hz:25fps(1920×1080,1280×720,704×576,352×288) 60Hz:30fps(1920×1080,1280×720,704×480,352×240) Thermal: 50Hz:25fps(640×512,384×288)
Smart Function	
Fire Detection	Yes
Solar Protection	Support, avoid detector damage due to high temperature (e.g. the sun)
Zoom Linkage	Yes
Smart Alarm	Support alarm trigger of network disconnection, IP address conflict, SD card full, SD card error, illegal access and abnormal detection
Smart Detecting	Support smart video analysis such as line intrusion and region intrusion
Alarm Linkage	Recording/Capture/Sending mail/PTZ linkage/Alarm output

STD Series | PT6S4-35010

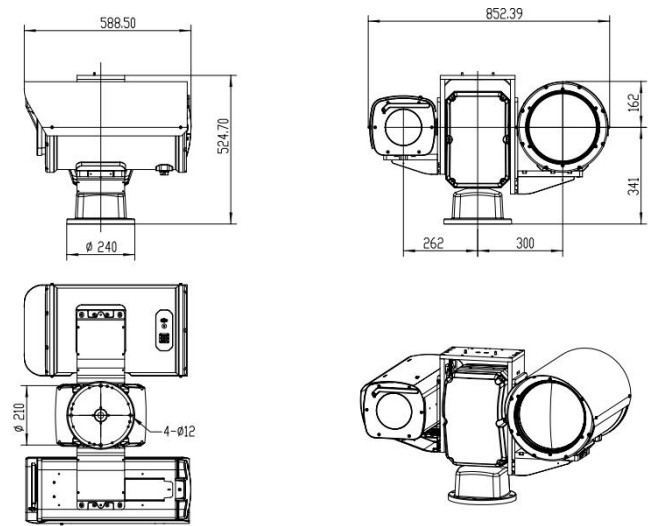
Technical Index	STD-PT6S4-35010
System Interface	
Power Supply	DC 48V±15%
Communication Interface	1 RJ45 10M/100M self-adaptive Ethernet port(internal exchanger, two IP addresses for one Ethernet port, single IP can be custom-made)
Audio	1 channel input, 1 channel output
Alarm	7 channels input, 2 channels output
Storage Interface	Support Micro SD card(Max.256G)
Communication Interface	1 channel RS 485 1 channel RS 232 1 channel RS 422 support Pelco-D or DC-PT
Peripheral Interface	GPS, DMC, keyboard joystick
General	
Operating Conditions	-40℃ ~ +60℃; <90%RH
Protection Grade	IP67
Power Consumption	Max.160W
Dimensions(mm)	620mm×854mm×525mm
Weight	80KG
Package	
Protection Grade	IP67
Dimensions(mm)	PTZ:847mmx722mmx460mm Thermal:740mmx754mmx480mm Visible:720mmx585mmx350mm

Effective Distance

The recommended distance of detecting, recognizing and identifying for man (1.8×0.5m) and vehicle (1.4×4.0m) are as follows:

Lens	DD (Vehicle)	DD (Man)	RD (Vehicle)	RD (Man)	ID (Vehicle)	ID (Man)
350mm	44.7km	14.6km	11.2km	3.6km	5.6km	1.8km

Structural Drawings



Packing List

Name	Qty.
PTZ	1
Power adapter	1
Protective shield for visible light	1
Sun shield for visible light	1
Protective shield for infrared	1
Sun shield for infrared	1
H5 internal hexagonal wrench	1
H6 internal hexagonal wrench	1
Terminal	1
Waterproof jacket for Ethernet cable	1
Rings	2
M6*25 Screws (with flat washers , spring washer)	16
M4*16 thumb screws (with seal rings)	10
M4*20 Anti-off screws (with flat washers , spring washer, seal rings)	12
M8*45 screws (with flat washers , spring washer, nut)	4